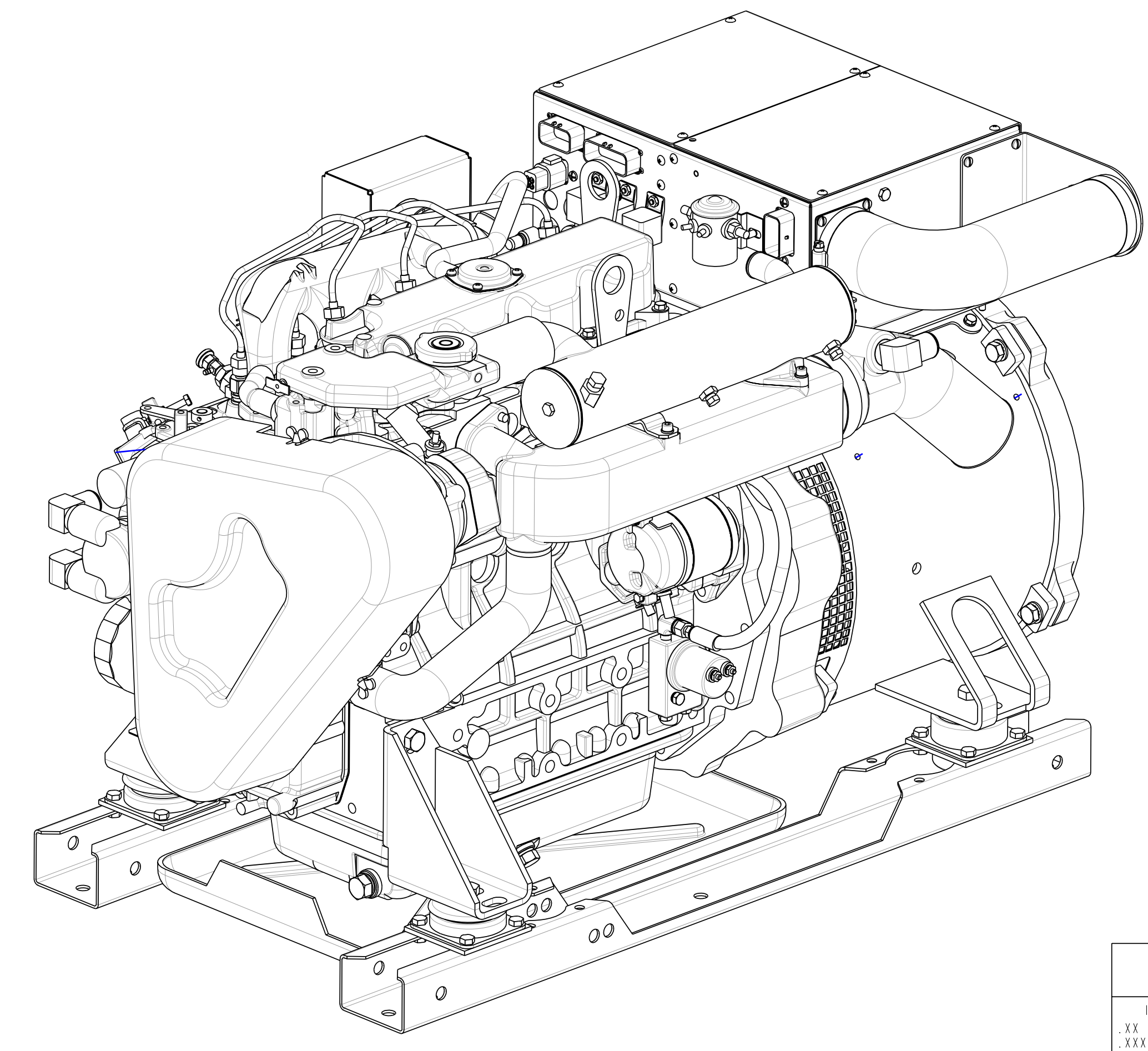
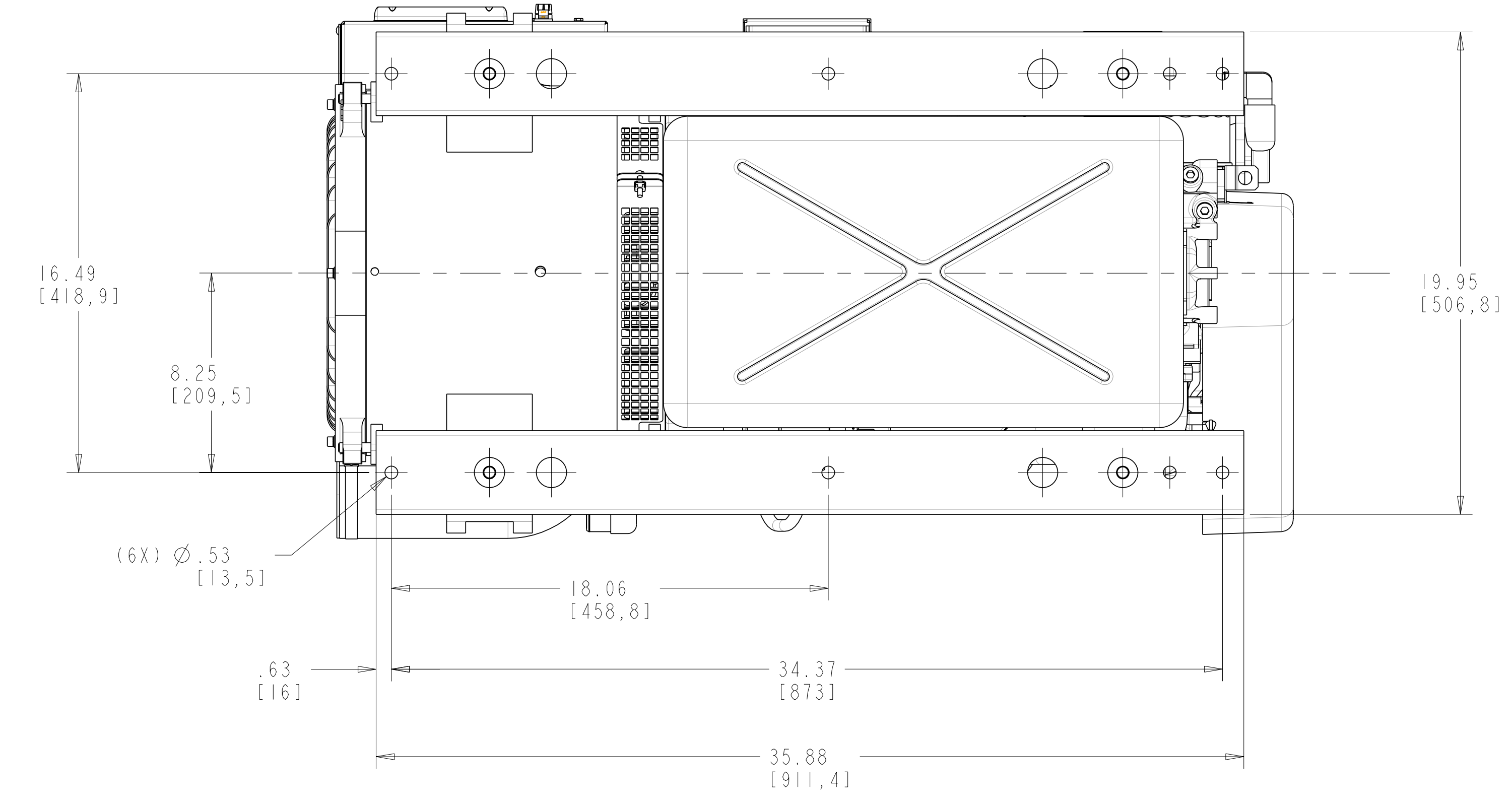
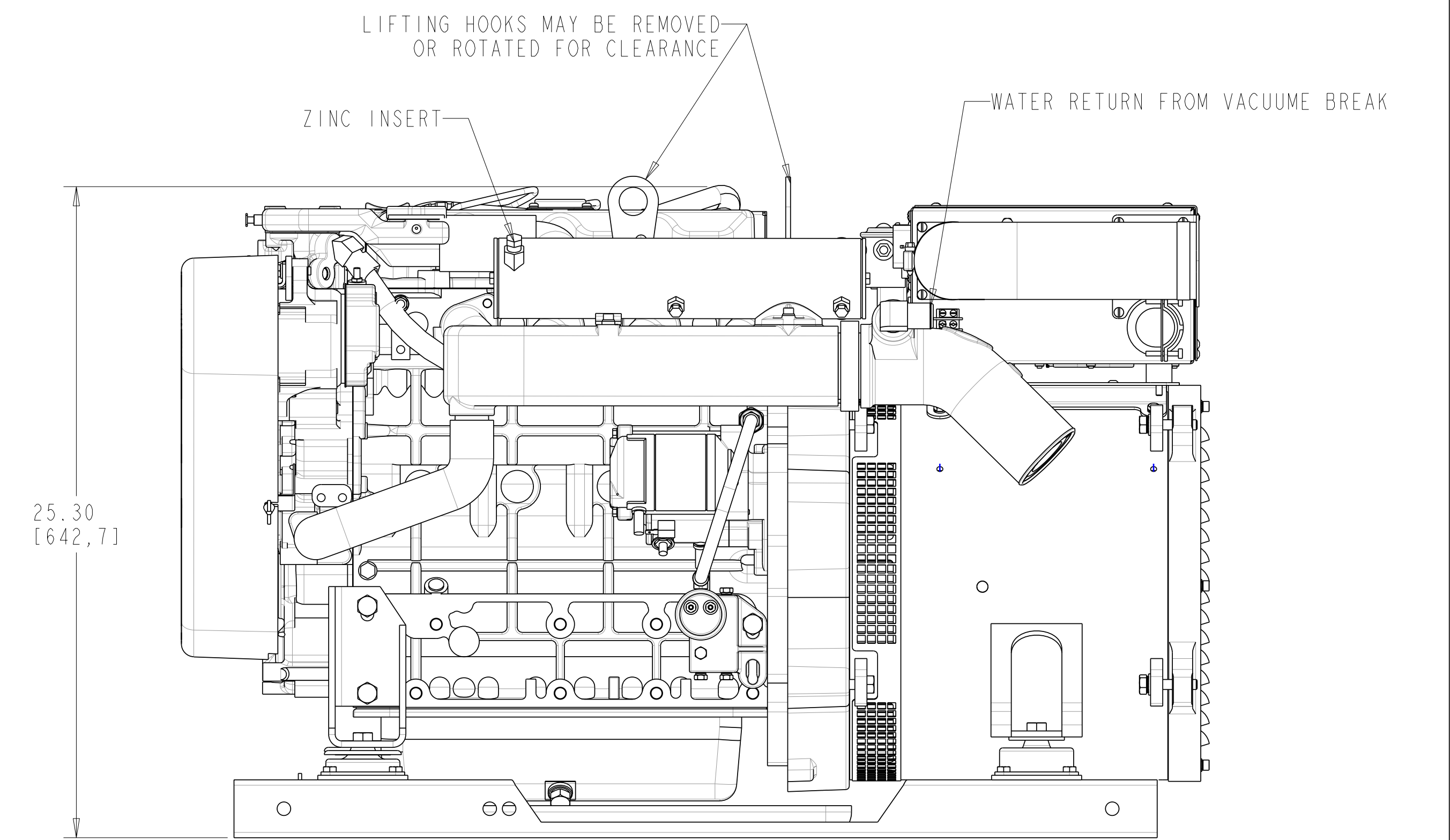
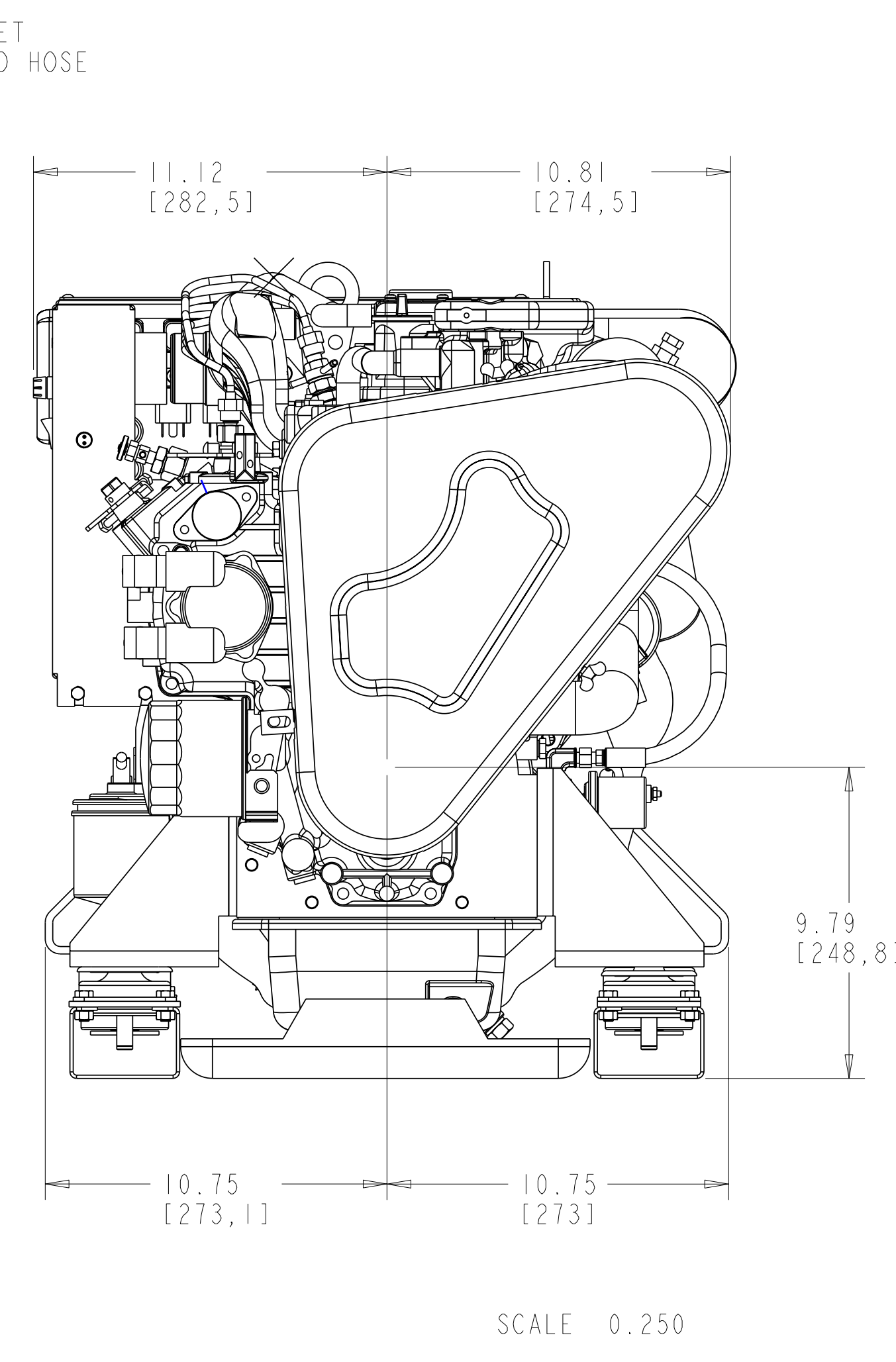
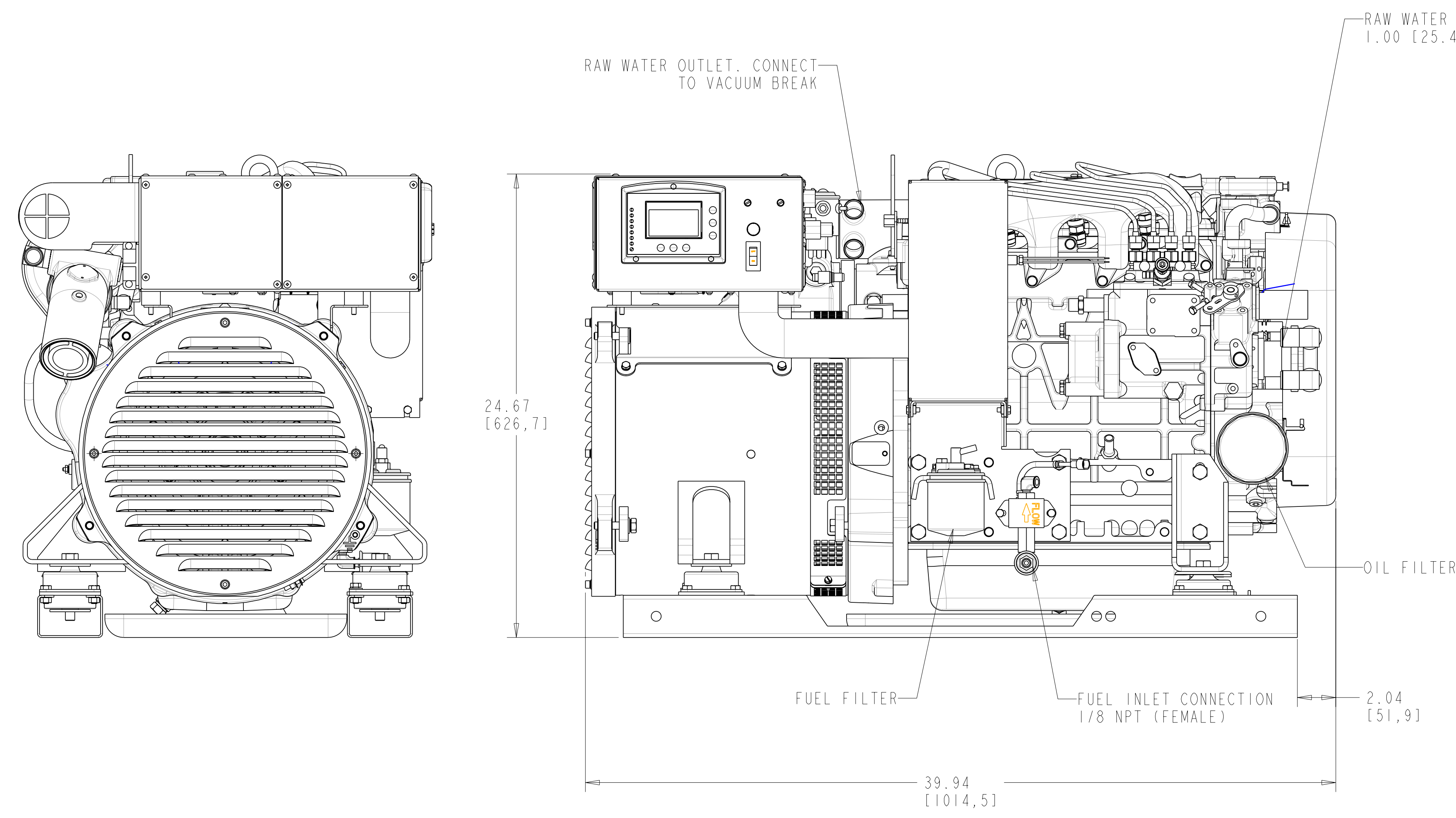
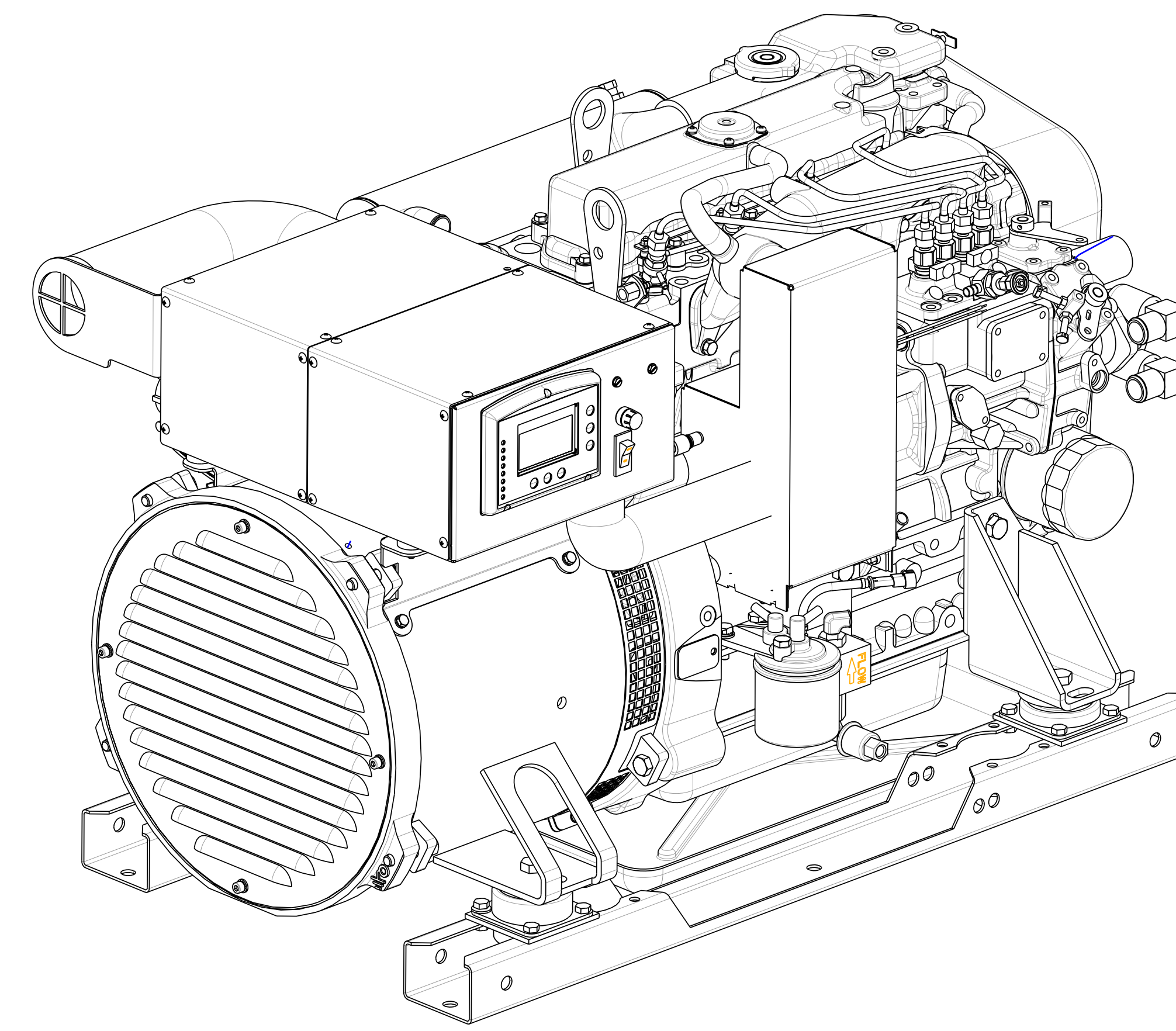
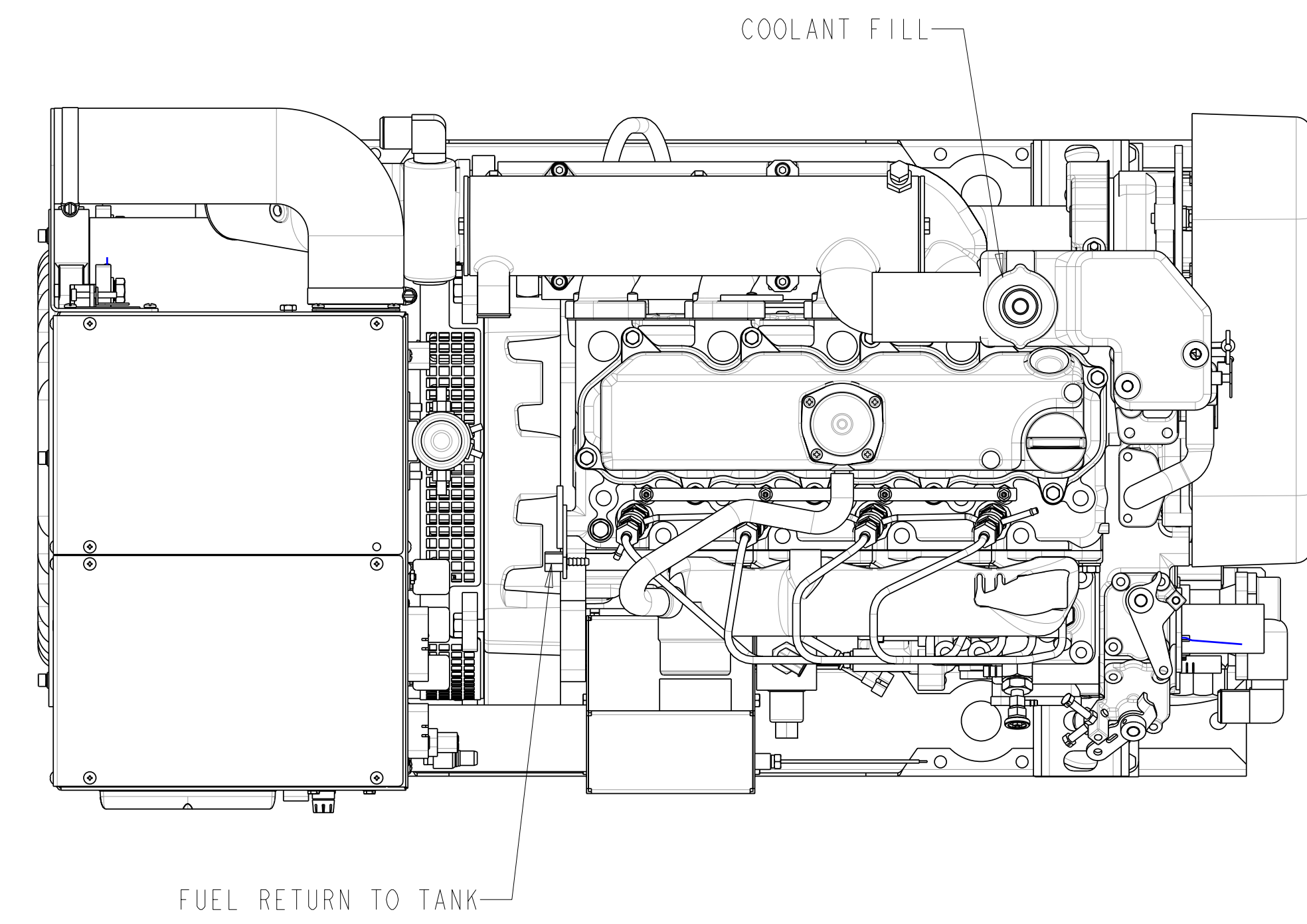


ECO NO.	DATE	REV.	REVISION RECORD	AUTH.	DR. BY
6425	7-77	A	RELEASE TO PRODUCTION		MG
6777	2-14	B	ADD METRIC DIMENSIONS		



TOLERANCES (UNLESS OTHERWISE NOTED)		WESTERBEKE CORPORATION TAUNTON, MA 02780	
INCHES	MILLIMETERS	TITLE	
XX ± .02	X ± 1.0	INSTALLATION DRAWING	
XX ± .005	X ± .5	22.0 EDE GENSET	
XX ± .02	XX ± .13	DATE	MATERIAL
XX ± .02	XX ± .13	13/Apr/06	
DIMENSIONS		APPROVED BY	DATE
INCHES		SCALE 0.250	SIZE
MILLIMETERS		SHEET 1 OF 3	DRAWING NUMBER
(WHEN APPLICABLE)			E 53734
			REV. B